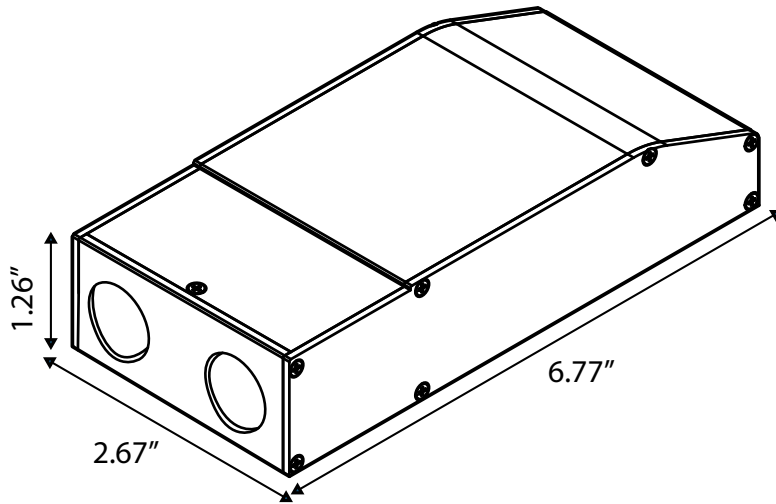


Features

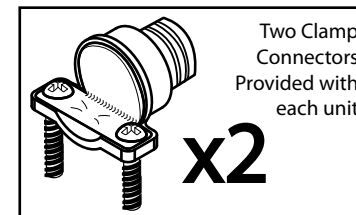
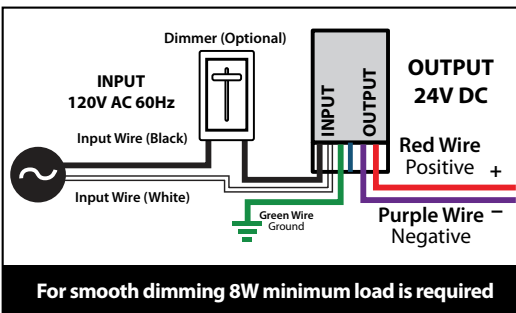
Dimmable with any standard MLV/Incandescent TRIAC-
 (Leading edge) dimmer switch
 Super compact ALUMINUM CASE.
 Class 2
 UL 8750
 IP67 - Withstands wet and salty conditions.
 Auto-Reset Protection for short circuits, over-voltage
 and over-temperature.
 FCC 15 part 2
 24V DC True RMS



Specifications

Max Load	40W
Input Voltage	120V AC
Input Current at Max Load	0.41 A
Output Voltage	24V DC
Output Current at Max Load	1.75 A
Power Factor	0.95
Efficiency	> 90%
Operating Temp.	-20°C - 70°C (-4°F - 158°F)
Short circuit protection	Yes
Overcurrent	Yes
Over temperature	Yes
Open circuit protection	Yes
Input Wires (White \ Black)	14 AWG
Output Wires (Red \ Purple)	18 AWG
Dimensions L*W*H	6.77" x 2.67" x 1.26"
Weight	17 oz

Installation



Revisions:

4		
3		
2		
1		



Project:

Part number: TRE24L40DC

Scale: NTS

Product: ELECTRONIC LED DRIVER 40W 24V DC IP67 DIMMABLE

Type:

Date: