

# 5CCT LED Task Bar



**NSL**  
NATIONAL SPECIALTY LIGHTING  
YOUR TRUSTED LIGHTING PARTNER

## Slim and elegant profile, linkable, and 5 color temperatures adjustable

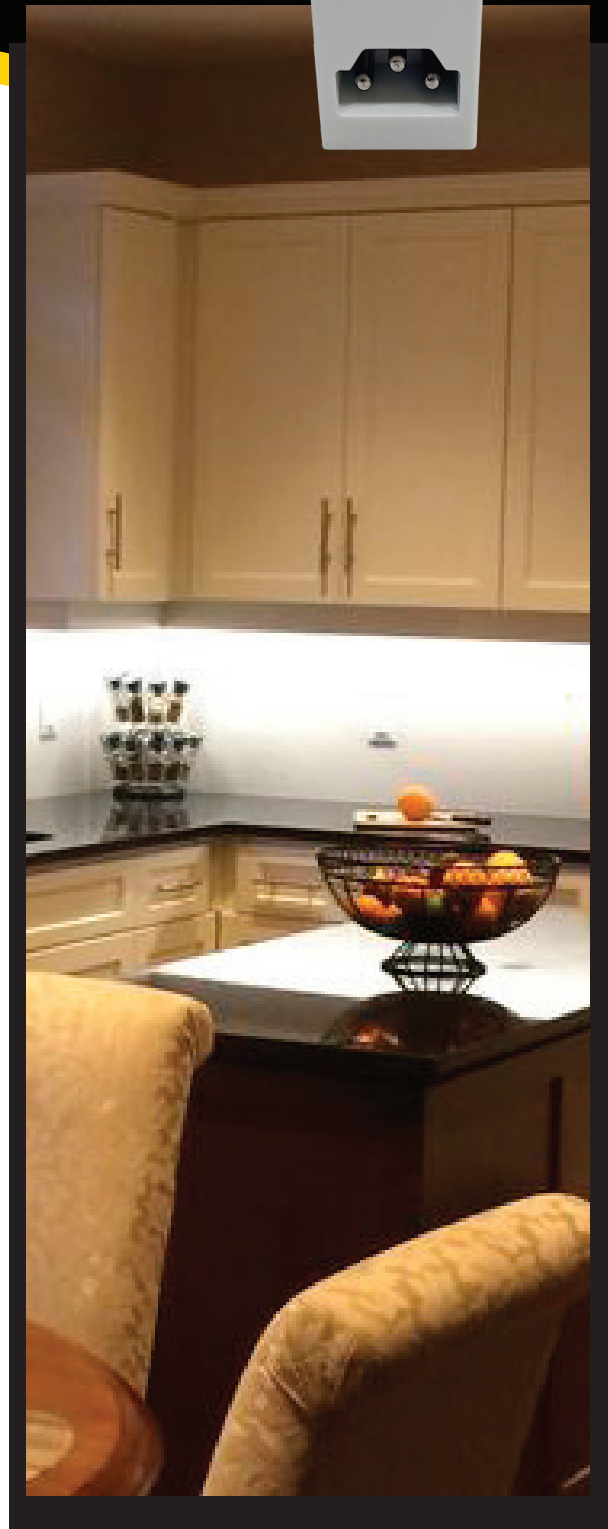
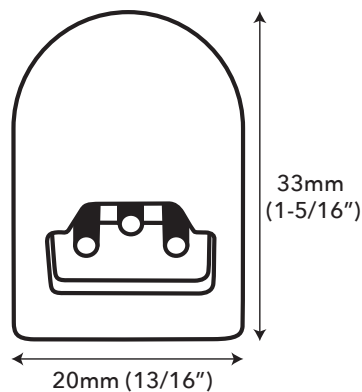
With its slim profile and 5 adjustable color temperatures, the LED Task Bar is the perfect choice for the modern kitchen.

### FEATURES

- Available in white finish
- 90+ CRI
- 120V Plug and cord and hardwire power cord available (sold separately)
- Available in 6 lengths:  
LEDLB-5CCT-10=9 3/4" (247mm)  
LEDLB-5CCT-12=12 3/8" (315mm)  
LEDLB-5CCT-18=17 1/2" (445mm)  
LEDLB-5CCT-24=22 5/8" (575mm)  
LEDLB-5CCT-36=34 7/16" (875mm)  
LEDLB-5CCT-48=46 1/4" (1175mm)
- Easy installation
- 5 position switch for color temperature adjustment  
2700K/3000K/3500K/4000K/5000K
- Dimmable with TRIAC dimmers
- Linkable up to 200W using end to end connectors or jumper cords
- 12", 18", 24" and 32" jumper cords available (sold separately)
- cETLus listed for indoor use
- 3 years limited warranty

### APPLICATIONS

- Under cabinet task light
- Over cabinet accent light
- Display cases and exhibits
- Merchandising
- Wall units and bars
- Office work stations



# 5CCT LED Task Bar

## EASY INSTALLATION

Slim profile, linkable up to 200W using end to end connectors or jumper cords

## ELECTRICAL

120V-277V AC

## WARRANTY

3 Year Warranty. See full warranty details at [www.nslusa.com](http://www.nslusa.com).

## NOTE:

Only LEDLB-5CCT-18, LEDLB-5CCT-24, LEDLB-5CCT-36 and LEDLB-5CCT-48 have ON/OFF switch.

## ACCESSORIES (SOLD SEPARATELY)



**LEDLB-J-12**  
12" jumper cable

**LEDLB-J-18**  
18" jumper cable

**LEDLB-J-24**  
24" jumper cable

**LEDLB-J-32**  
32" jumper cable



**LTSPRO-PC-72**  
72" power cord and plug

**LTSPRO-HW-72**  
72" power cord for hardwire



**LTSPRO-JB**  
Hardwire junction box  
With ON/OFF switch, power line mounting on the back and 2 output ports, it allows for fixtures connections with jumper cables (sold separately), on both sides of the junction box.

## SPECIFICATIONS

Product Code	LEDLB-5CCT-10 LEDLB-5CCT-12 LEDLB-5CCT-18 LEDLB-5CCT-24 LEDLB-5CCT-36 LEDLB-5CCT-48
Color Temperature	2700/3000/3500/4000/5000K
Input Voltage	120V-277V AC
Power Consumption (W)	3.5/5/8/12/16/20W
Lumens	LEDLB-5CCT-10 (290 LM) LEDLB-5CCT-12 (443-541 LM) LEDLB-5CCT-18 (652-771 LM) LEDLB-5CCT-24 (966-1134 LM) LEDLB-5CCT-36 (1199-1393 LM) LEDLB-5CCT-48 (1599-1892 LM)
LEDs	SMD2835
Color Rendering Index	90+
Linkable	Up to 200W
Life Span (hours)	35,000
Beam Angle	110°
Approvals	cETLus