

WARNING AND CAUTIONS

Caution / Warning! To reduce the risk of fire, electric shock or injury to persons:

1. Disconnect from all 120VAC power prior to installation.
2. Connections must be made in accordance with all local electrical codes and or NEC/CEC.
3. Minimum 90C supply conductors.
4. For maximum load with dimmer, consult dimmer instructions.
5. 14 gauge (Romex Type) or better wire is required to feed electrical box (supplied by others)
6. Install in accordance to manufacturer's instructions, current local codes and or the current Canadian Electrical Code or National Electrical Code. THIS PRODUCT MUST BE INSTALLED IN ACCORDANCE WITH THE APPLICABLE INSTALLATION CODE BY A PERSON FAMILIAR WITH THE CONSTRUCTION AND OPERATION OF THE PRODUCT AND THE HAZARDS INVOLVED.

SPECIFICATIONS

Electrical Rating:

Input Voltage: 120VAC +/- 10%

Power Consumption: 15W

Colour Temperature: 3000K

CRI: 80

LED Luminous flux: 1200 lumens

Beam Pattern: 120 degrees

LED Life: 50,000 hours to 70% lumen output

Approvals Listing:  

INSTALLATION AND
SAFETY INSTRUCTIONS

WALL SCONCE LIGHT



Beautifully designed and elegant, the Wall Sconce Lights can replace any existing indoor accent lighting, creating tremendous energy savings, at an extremely affordable price.

NSL
NATIONAL SPECIALTY LIGHTING
YOUR TRUSTED LIGHTING PARTNER

www.nslusa.com

NSL
NATIONAL SPECIALTY LIGHTING
YOUR TRUSTED LIGHTING PARTNER



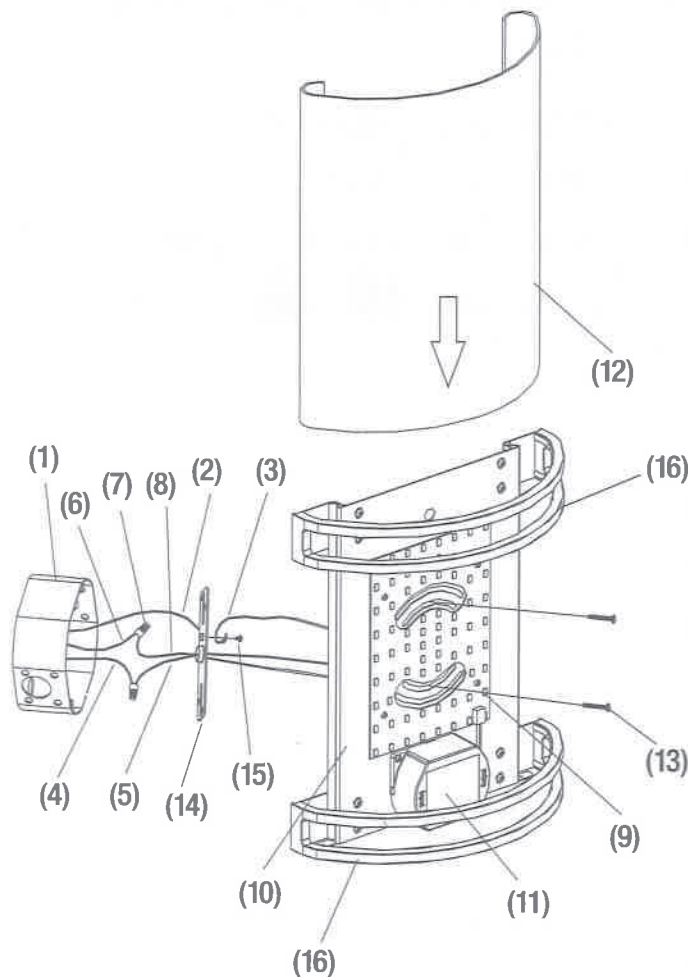
WIRING AND MOUNTING INSTRUCTIONS

CAUTION! Only qualified electricians or people familiar with household electrical circuits should bring 120VAC power to the fixture. Wiring may require an inspection by local authorities building department. Check with your local building department before installation.

CAUTION! Before bringing 120VAC power to the fixture, make sure incoming wire is not “hot” and all power coming to the wire is off.

CAUTION! All connections must be made in accordance with this instruction manual, current NEC / CEC and all local building codes. Minimum 90C supply conductors.

1. The Wall Sconce Light fixture mounts to a standard octagonal junction box with mounting screws provided.
2. Remove the fixture’s diffuser.
3. Strip 1/3” (8mm) of the insulation off each incoming 120VAC power wire. Connect white incoming 120VAC wire (neutral wire) to the white wire from the fixture and secure with wire nut provided. Connect black incoming 120VAC wire to the black wire from the fixture and secure with wire nut provided. The electrical box you are mounting to should have ground connection to it. Thread all wires firmly down into wire nuts, so that uninsulated wire is not exposed.
4. Mount fixture to the junction box using the mounting bracket and the screws provided.
5. Replace the diffuser.



1. Junction Box
2. Junction Box Ground Wire
3. Fixture Ground Wire
4. Junction Box White Wire
5. White Fixture Wire
6. Junction Box Black Wire
7. Wire Connector
8. Black Fixture Wire
9. LED Circuit Board
10. Fixture Housing
11. LED Circuit Board
12. Diffuser
13. Screws
14. Mounting Bracket
15. Ground Screw
16. Ring

WALL SCONCE LIGHT DIMMING

Wall Sconce Light is dimmable to about 5% with most standard dimmers.