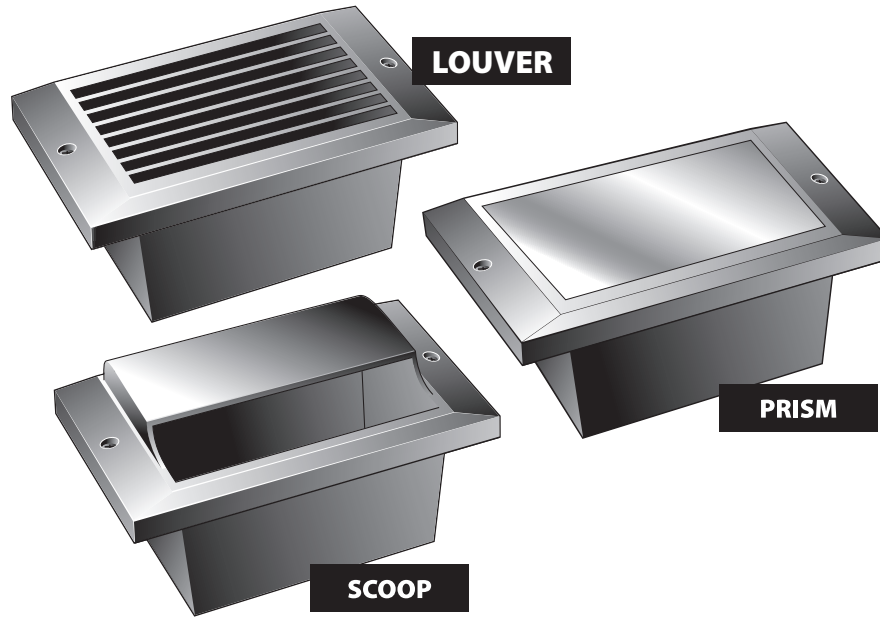


LED Step Star is a highly effective and energy efficient recessed fixture suitable for indoor and outdoor use.



### Features

- 40,000-hour LED life
- Ultra low 5.2 watt energy usage per fixture
- CRI 80+
- Lumen output: 468LM
- 120VAC power input
- Up to 150 LED Step Star lights per 120VAC tap
- Die cast aluminum can and cover
- cETLus listed for indoor and outdoor applications including wet, IC, concrete pour, ceiling and shower locations
- Dimmable with most forward phase TRIAC dimming systems
- 3 year limited warranty

### Specifications

LED Color	White (3000K +/-200)
Input Voltage	120V AC
Power Consumption (W)	5.2 Watts
Lumen Output	468LM
Can Finish	Powder Coated White
CRI	≥ 80+
Life Span (hours)	40,000
Lens	Frosted tempered glass
Wiring Options	Up to 150 LED Step Star lights per 120VAC tap
Approvals	cETLus listed for wall, ceiling, wet and IC locations

### Ordering Code

LST-II-  -WH-

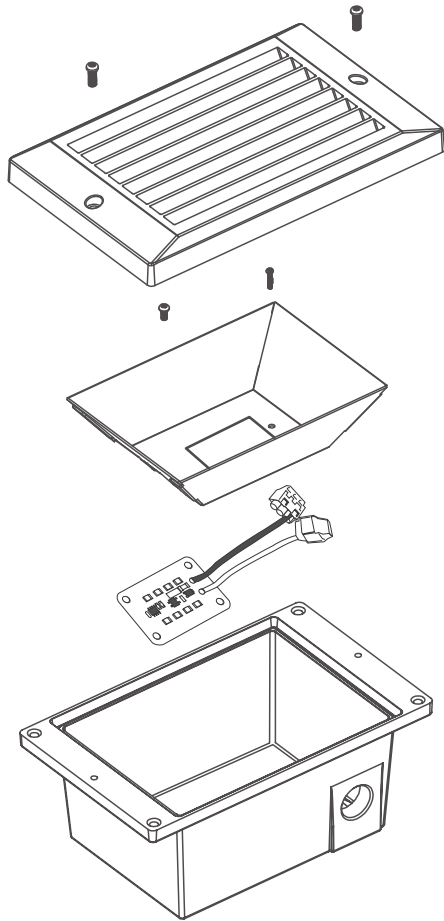
Cover Option      Finish Color

L = Louver      WH = White  
 P = Prism      BK = Black  
 S = Scoop      AL = Aluminum  
                          BZ = Bronze

Project		Type	
Date		Contact	
Notes			

# LED Step Star Gen II

*LED Step Star is a highly effective and energy efficient recessed fixture suitable for indoor and outdoor use.*



**NOTE:** for concrete installations,  
please use the concrete cap SL-CC

