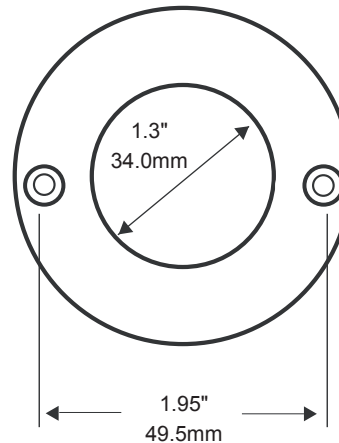
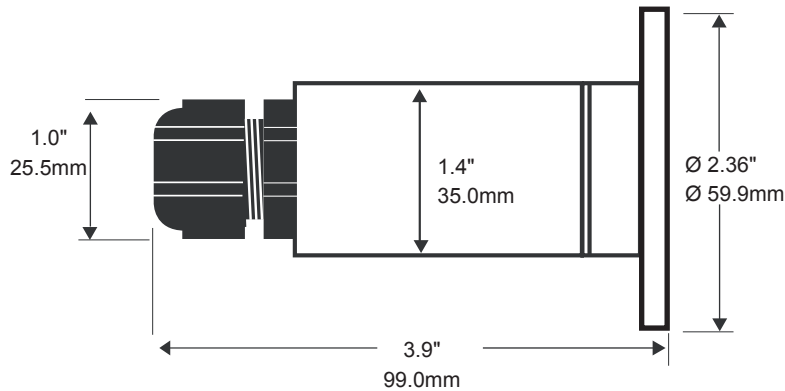


Specifications



Voltage: 12VDC
 LED Type 5050
 LED Module Specifications: 12VDC, 45mA,
 Watts: 3.0 Watts
 Average LED Life: 50,000 hours
 LED Color:
 Cover: Stainless Steel
 Barrel Finish: Stainless Steel
 Packaging: Individually packaged in 2 color corrugated box
 Lens:
 Wiring Options: Fixtures can be parallel wired or "Daisy chained"
 together with up to 30 fixtures on our largest driver.
 See adjacent power supply chart for details.
 NOTE: Use LW-18G-CL2 for all in-wall applications.
 Use LW-18G-BUR for all burial application
 Agency Approval: cUL listed and labeled for wet, IC, ceiling, wall and direct burial applications.



Revisions:

4		
3		
2		
1		



Project:

Part number: LEDD-Y-XX

Scale: NTS

Product: LED DISC LIGHT, 12V STAINLESS STEEL

Type:

Date: