

# LED Disc Light Dome

## STAINLESS STEEL CONSTRUCTION

A robust LED marker light ideal for public or residential applications, indoor or outdoor.



### Features

- ✓ Dimmable with dimmable power supplies
- ✓ Long life – 50,000 hours
- ✓ Low power consumption 3 watts per fixture
- ✓ Safe 12 volt, Class 2 power supply (not included)
- ✓ Up to 30 fixtures per power supply
- ✓ cETLus listed for in-wall, in-floor, outdoor wet, and outdoor burial applications
- ✓ Fits in any 1.5" diameter hole, 4" long
- ✓ Stainless steel construction (SUS 316)
- ✓ Available concrete form for concrete pour applications
- ✓ 3 year limited warranty

### Applications

- Steps
- Aisles
- Paths
- Driveways
- Direction lighting
- Decorative lighting
- Landscape accents

# LED Disc Light Dome

A robust LED marker light ideal for public or residential applications, indoor or outdoor.

## Finish

Stainless steel. SUS316.

## Electrical

12V DC, 3watts.

## Certification

cETLus listed for wet, IC, wall and direct burial applications.

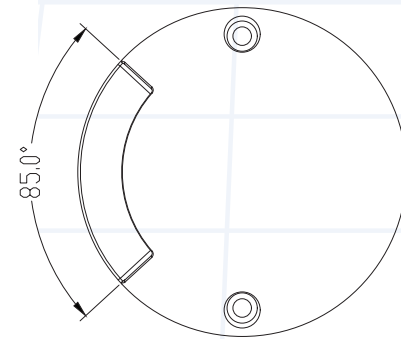
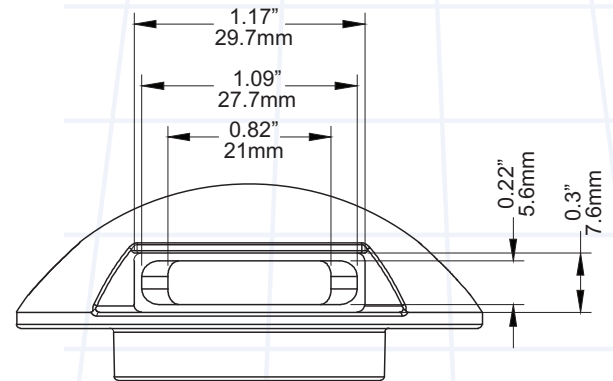
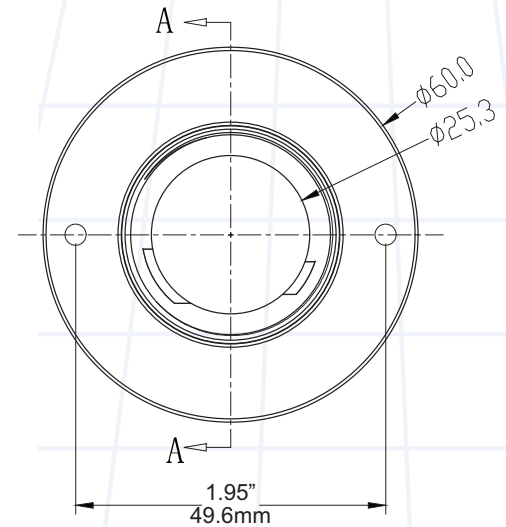
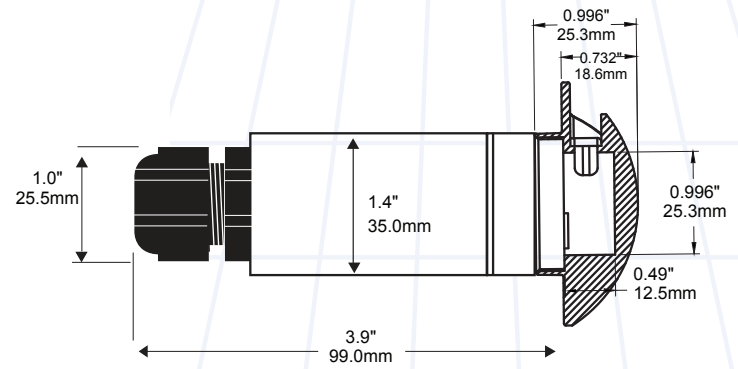
## Warranty

**Limited warranty:** This fixture is free from defects in materials and workmanship for a period of 3 years from date of purchase.

## Specifications

LED Disc Light Dome	
Product Code	LEDD-C-XX-D
Voltage	12V DC
Power Consumption (W)	3 watts
LED Colors	Cool White 98 lumens @ 5500K Warm White 95 lumens @ 2700K
Wiring Options	Fixtures can be parallel wired or "Daisy chained" together with up to 18 fixtures on our largest dimmable driver. <b>NOTE: Use LW-18G-CL2 for all in-wall applications. Use LW-18G-BUR for all burial applications.</b>
LED Life	50,000 hours
CRI	80+
Cover Finish	Stainless Steel SUS316
Barrel Finish	Stainless Steel SUS316
LED Type	5050
Lens	Clear Tempered Glass
Approvals	cETLus listed for wet, IC, wall and direct burial applications.

XX=WH (cool white 5500K), WW (warm white 2700K)



## CONCRETE FORM

**LEDD-CF**  
Recommended for easy installation in concrete pour applications.

