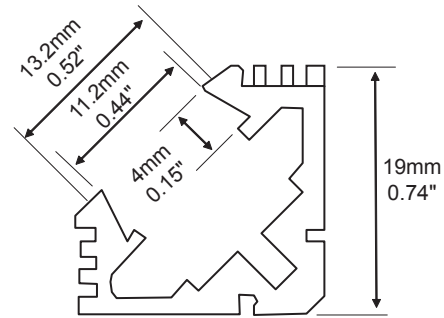
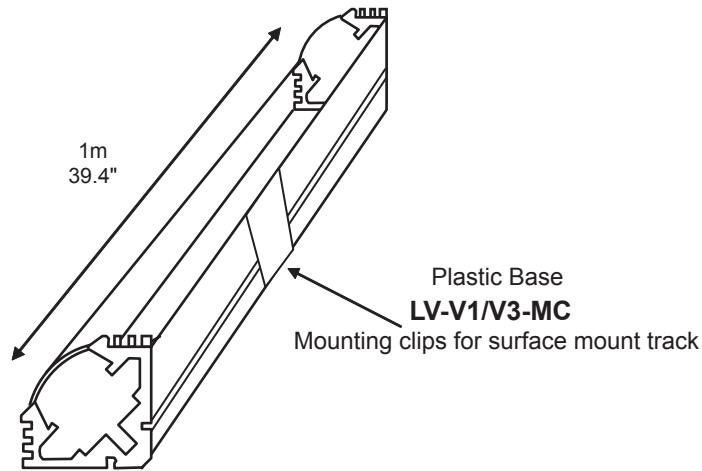
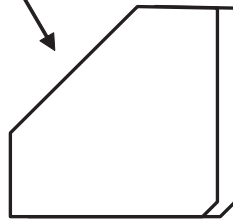


Specifications

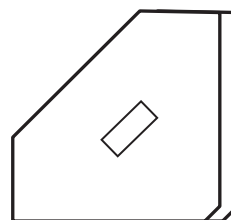
Extrusion Profile Aluminum
 Lens Frosted PC
 Length 39.4" / 1m



LV-V1/V3-EC
 END CAP FOR CORNER SURFACE MOUNT
 TRACK WITHOUT WIRE LEAD PROVISION



LV-V1/V3-EC-WF
 LV-D1/D3-ECEND CAP FOR CORNER SURFACE
 MOUNT WITH WIRE LEAD PROVISION



Revisions:

4		
3		
2		
1		

NSL
 NATIONAL SPECIALTY LIGHTING
 YOUR TRUSTED LIGHTING PARTNER

Project:

Part number: LV-LB-V3-FR

Scale: NTS

Product: 1 METER CORNER MOUNT ALUM. EXTRUSION

Type:

Date: