

Summary

The Low Voltage Wall Mount RGB Controller is mainly used to control constant voltage LED products such as RGB Tape Light, RGB eSTRIP, RGB Hard Strip, RGB Mini Flood Lights and many more. It combines the simplicity to use with the convenience of wall mounting and easy installation.

Technical Parameters

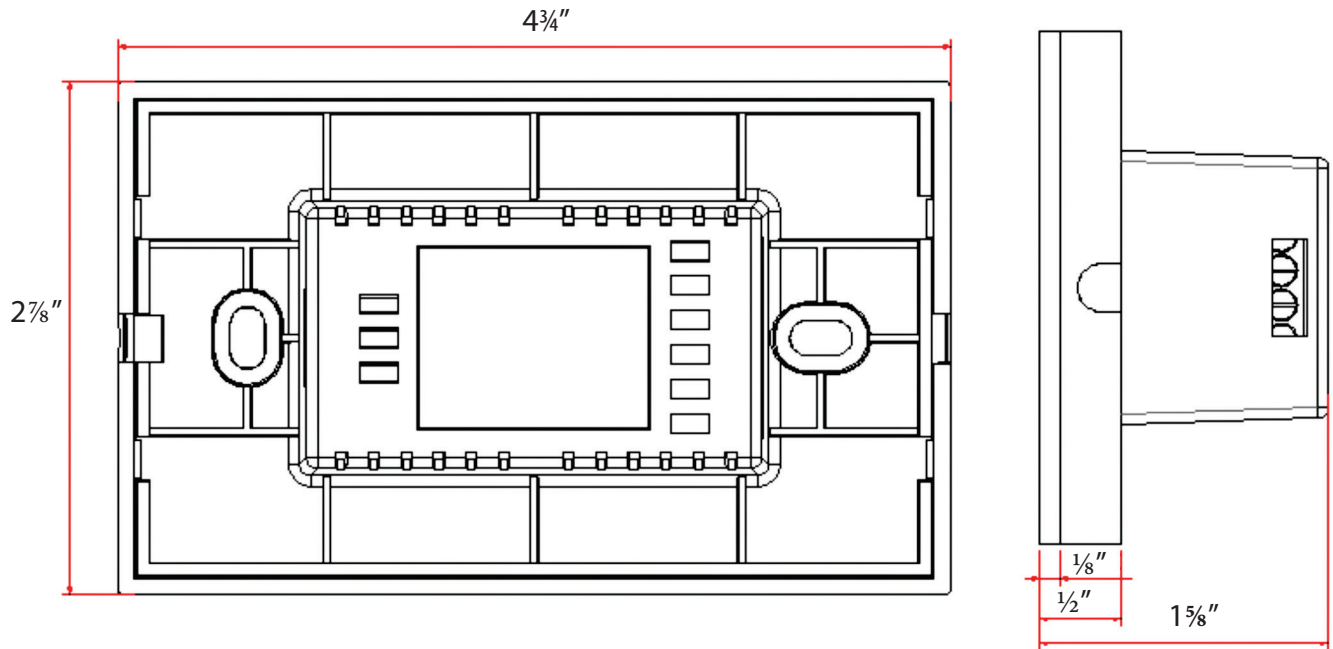
- Working temperature: -20-60°
- Supply voltage: 12V/24V DC
- Output voltage: 12V/24V DC
- Output: 3 channels
- Connection mode: common anode
- External dimension: L2 $\frac{7}{8}$ " X W4 $\frac{3}{4}$ " X H1 $\frac{5}{8}$ "
- Packing size: L5 $\frac{7}{8}$ " X W4" X H2 $\frac{1}{4}$ "
- Net weight: 0.34lbs
- Gross weight: 0.48lbs
- Static power consumption: <1W
- Output current: <4A (each channel)
- Output power: 12V<144W, 24V<288W



Safety Instructions

1. Save these instructions.
2. Read all instructions thoroughly before commencing assembly or installation.
3. For indoor use only.
4. This product must be installed in accordance with the applicable installation code by a person familiar with the construction and operation of the product and the hazards involved.
5. Use only Class 2 non-dimmable power supplies.
6. Turn off all electrical power before modifying lighting system in any way.

External Dimensions



Interface Specifications

Ports; 1, 2, 3 - output ports to connect the LED lights (1-Blue, 2-Green, 3-Red, 4- (+) 12V/24V DC

Ports: 5, 6- Input 12V/24V DC



Controller Instructions



Color wheel for selecting desired static color.



Turn on/off LED light in any state.



Switch between 19 dynamic modes.

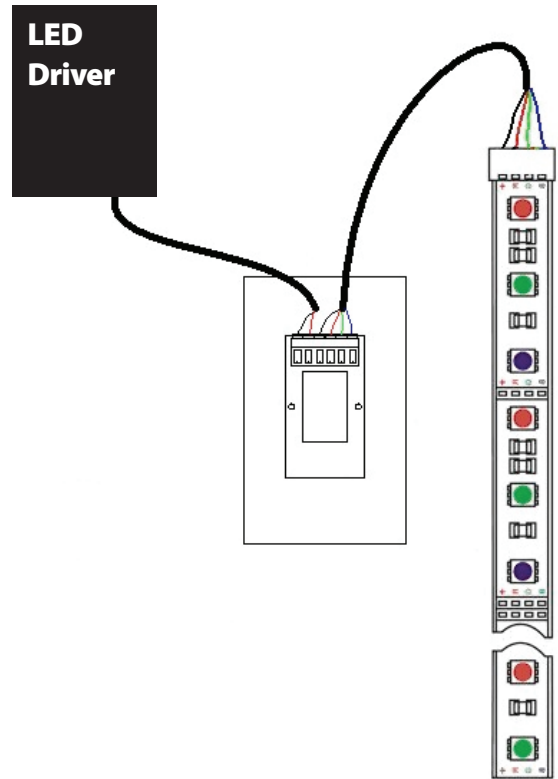


Switch between 20 static modes.



Increase/decrease brightness in static modes and increase/decrease speed of functions change in dynamic modes.

Typical Application



Static Functions

No.	Mode	No.	Mode	No.	Mode
1	Red	8	Cyan	15	Brown
2	Orange	9	Light-blue	16	White
3	Deep-yellow	10	Sky-blue	17	Ivory
4	Yellow	11	Blue	18	Pink-white
5	Light-yellow	12	Deep-blue	19	Yellow-white
6	Green	13	Blue-purple	20	Blue-white
7	Light green	14	Purple		

Dynamic Functions

Mode No.	Mode	Mode No.	Mode	Mode No.	Mode
1	red burst flashing	8	Three-color jumping	15	purple gradually fades
2	green burst flashing	9	six-color jumping	16	white gradually fades
3	blue burst flashing	10	red gradually fades	17	three-color gradually fades
4	yellow burst flashing	11	yellow gradually fades	18	seven-color gradually fades
5	white burst flashing	12	green gradually fades	19	seven-color gradual changing
6	Three-color burst flashing	13	cyan-blue gradually fades		
7	Three-color flashing	14	blue gradually fades		

Installation

1. WIRING

Connect wires (load side first) as follows:

Ports; 1, 2, 3 - output ports to connect the LED lights (1-Blue, 2-Green, 3-Red, 4- (+) 12V/24V DC

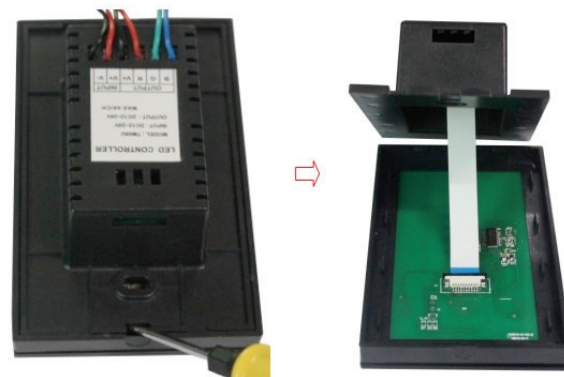
Ports: 5, 6- Input 12V/24V DC

Note: Use only Class 2, non-dimmable power supplies.



2. OPEN THE PANEL

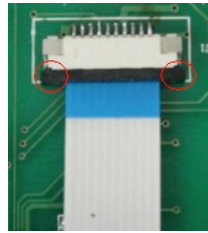
Using a flat screwdriver, gently pry open the back panel.



3. INSTALL PANEL BASE

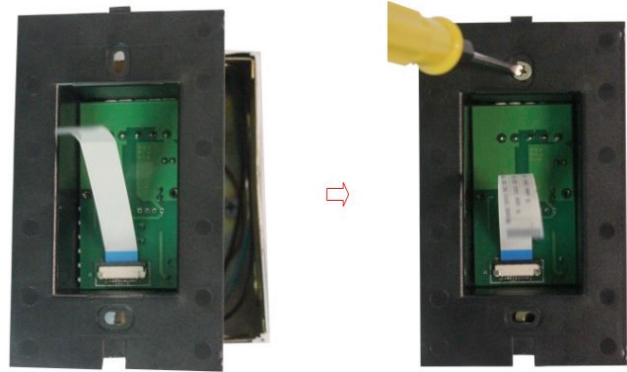
Step 1:

On the front panel, pull the edges of black insert of the connector (marked with red circles), and remove the ribbon cable.



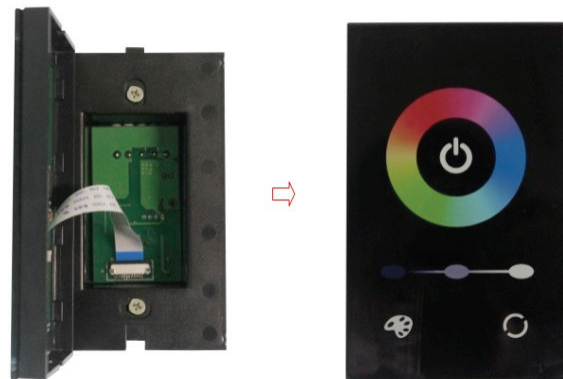
Step 2:

Mount the panel base into the 2x4 switch or utility box.



4. MOUNT THE FRONT PANEL

Re-connect the ribbon cable(blue side up) and mount the controller front panel.



Notes

1. Use only Class 2, non-dimmable 24V DC power supplies.
2. Please avoid short-circuits during installation.