

LED Disc Light Dome

STAINLESS STEEL CONSTRUCTION

A robust LED marker light ideal for public or residential applications, indoor or outdoor.



FEATURES

- Dimmable with dimmable power supplies
- Long life - 50,000 hours
- Low power consumption 3 watts per fixture
- Safe 12 volt, Class 2 power supply (not included)
- Up to 30 fixtures per power supply
- cETLus listed for in-wall, in-floor, outdoor wet, and outdoor burial applications
- Fits in any 1.5" diameter hole, 4" long
- Stainless steel construction (SUS 316)
- Available concrete form for concrete pour applications
- 3 year limited warranty

APPLICATIONS

- Steps
- Aisles
- Paths
- Driveways
- Direction lighting
- Decorative lighting
- Landscape accents

PRODUCT CODES

LEDD - C - XX - D

LED Disc
Light Dome

Color OF LED
WH - 5500K
WW - 2700K

SPECIFICATIONS

Voltage	12V DC
Power Consumption (W)	3 watts
LED Life	50,000 hours
LED Colors	WH 98 lumens @ 5500K WW 95 lumens @ 2700K
Wiring Options	Fixtures can be parallel wired or "Daisy chained" together with up to 18 fixtures on our largest dimmable driver. NOTE: Use LW-18G-CL2 for all in-wall applications. Use LW-18G-BUR for all burial applications.
LED Life	50,000 hours
CRI	80+
Cover Finish	Stainless Steel SUS316
Barrel Finish	Stainless Steel SUS316
LED Type	5050
Lens	Clear Tempered Glass
Approvals	cETLus listed for wet, IC, wall and direct burial applications

REPLACEMENT LED MODULES

LEDD-MOD-WH

LED Disc Light module, 12V, white LED 5500K

LEDD-MOD-WW

LED Disc Light module, 12V, warm white LED 2700K

INSTALLATION WIRE

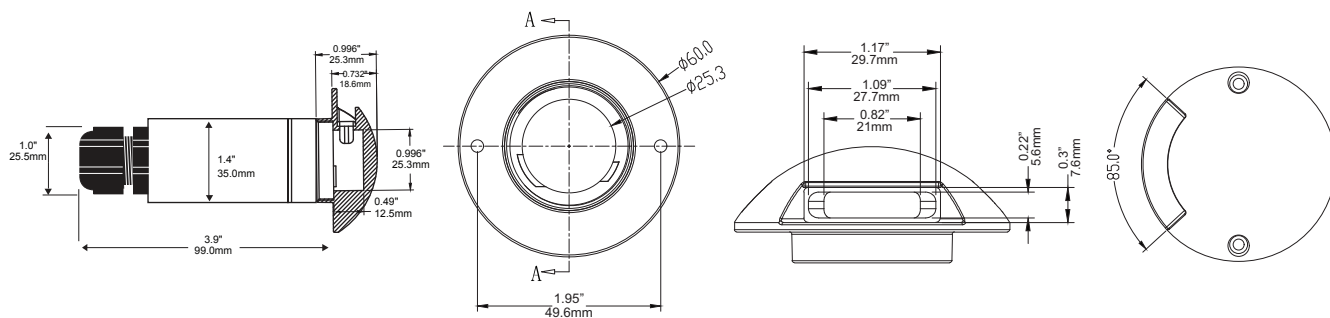
LW-18G-BUR

For outdoor burial connections

LW-18G-CL2

For indoor through wall connections

NOTE: One of the above wires MUST be used in order to maintain product warranty.



ACCESSORIES



LEDD-CF

Recommended for easy installation in concrete pour applications.

INDOOR/OUTDOOR DIMMABLE DRIVERS

TRE12L20DC

20 Watts

Max. recommended load 18 W or 6 LED Disc Lights
 Min. recommended load 8 W or 3 LED Disc Lights
 6.77" x 2.67" x 1.26" (171 x 68 x 32mm)

TRE12L60DC

60 Watts

Max. recommended load 54 W or 18 LED Disc Lights
 Min. recommended load 8 W or 3 LED Disc Lights
 6.77" x 2.67" x 1.26" (171 x 68 x 32mm)

NOTE: For outdoor installations, please add E-KO-SR strain relief.

NON DIMMABLE DRIVERS

LEDDR-12-60W

Indoor/Outdoor driver

60W hardwire

Input: 100 - 240V AC

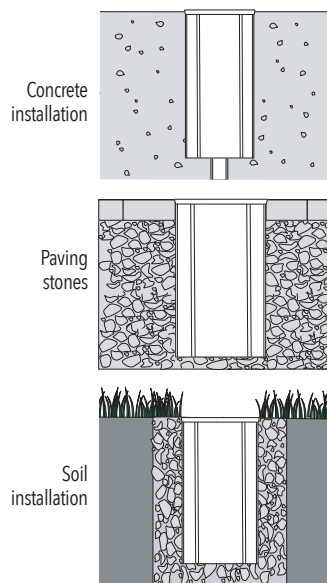
Output: 12V DC

Max. 18 LED Disc Lights

9 11/16" x 2 9/16" x 2 1/16" (246 x 65 x 52mm)

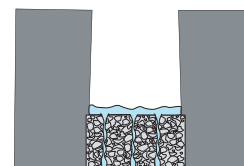
WARNING: LACK OF DRAINAGE WILL VOID THE WARRANTY

To maintain the warranty, a proper drainage system **MUST** be installed (drainage material or drainage pipe), when the product is installed in soil or concrete.

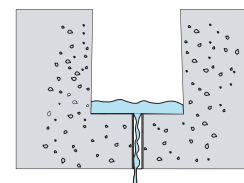


Test drainage prior to installation.

A quantity of water equal to the volume of the mounting hole should drain in 15 minutes or less.



SOFT GROUND



HARD GROUND

