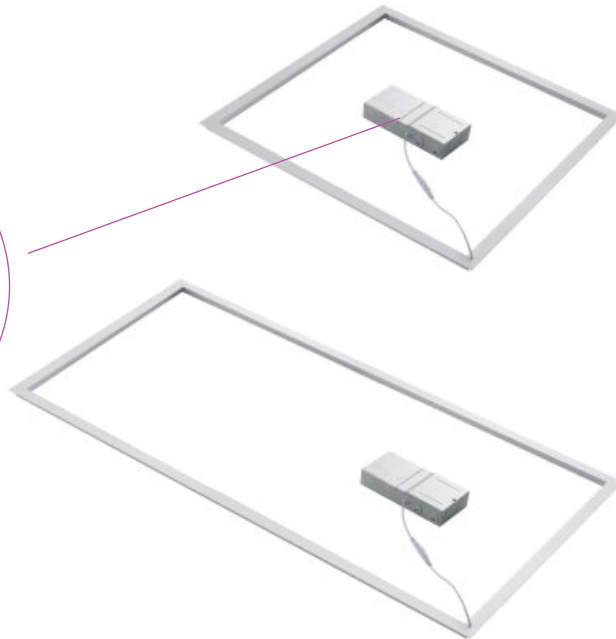
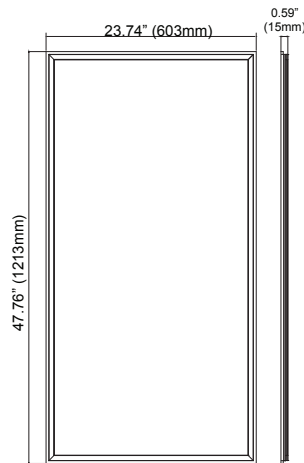
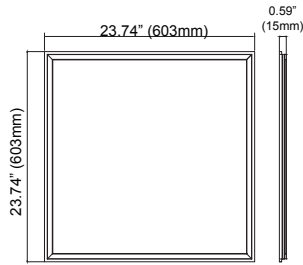


FIXTURE INSTALLATION

TLE-2X2-K40-3065

TLE-2X4-K60-3065

Important: Read all instructions in order to ensure safety and proper installation.



MAINTENANCE

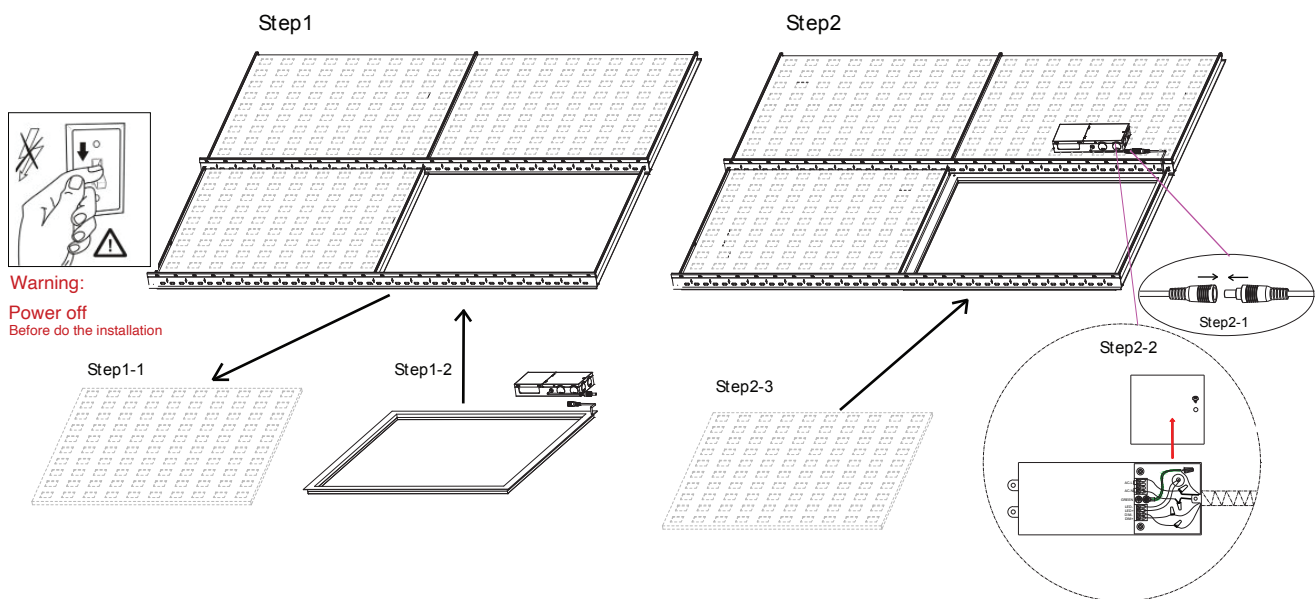
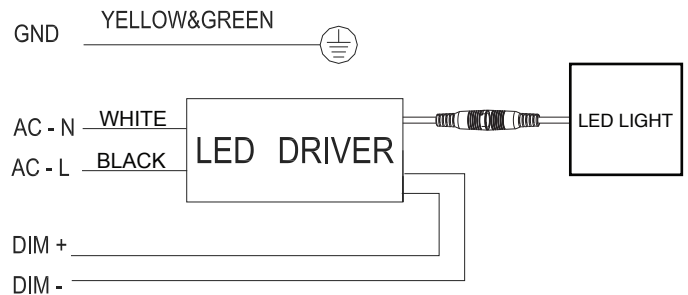
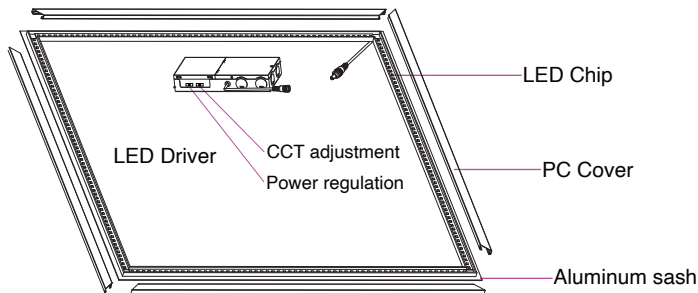
Do not modify this fixture. Any modifications may render the product unsafe and void warranty.

Limited Warranty: The warranty applies to the product from the original date of purchase for five (5) years against manufacturing defects. The owner must provide a copy of the original proof of purchase. The manufacturer's obligation under this warranty is limited to repairing or replacing the component. It is not related in any way to the cost of the connection, the installation of the replacement parts or cost of transport.

INSTALLATION GUIDE

⚠ WARNING

Make sure all the power is off before installation.



Warning:
Power off
Before do the installation

- Step 1:** Remove the one ceiling tile that you need to install light fixture on. Then place the light fixture on the T-bar carefully and make sure it is correctly in place and secure.
- Step 2:** Place the driver on top of the next ceiling tile. Connect the cable between the driver and the lighting fixture.
- Step 3:** Open the driver's junction box and connect the AC wire to the driver correctly (L=black & N=white).

NOTE: The installation of these units should be carried out only by a licensed electrician.

CAUTION: Products should be installed in accordance with these instructions, current electrical codes and/or the current Canadian Electrical Code (CEC), or National Electrical Code (NEC).