



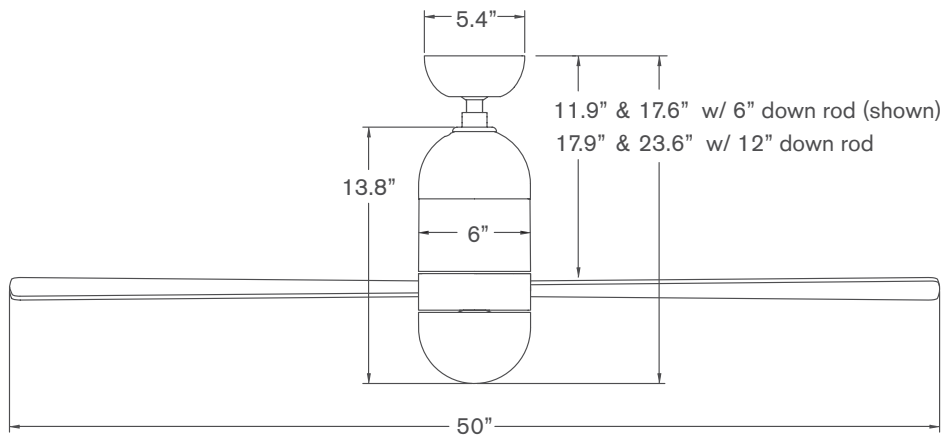
Cirrus DC



Cirrus DC > Configure item number from attributes below.

#CIR	Finish	Blade Span	Blade Color	Light Option	Control Option
-	-	-	-	-	-
	▲ GW Gloss White BA Brushed Aluminum	▲ 50 50" Span	▲ WH White AL Aluminum MP Maple	▲ NL No Light 355 17W LED	▲ WC Wall Control RC Remote Control CC Wall/Remote Combo

Dimensions



Specifications

- 6-speed, reversible DC motor
- Die cast aluminum construction
- 50" span, plywood blades
- Includes 6" and 12" down rods (longer options also available)
- Optional LED light: 17W, 90 CRI, 3000K, 1530 lumens (dimnable) behind opal glass diffuser; CA Title 24 (JA8) compliant
- Slope compatible up to 33°; adapter available for slopes up to 45°
- Designed by Ron Rezek
- ETL listed for dry and damp locations
- Weight: 14.0 lbs (6.4 kgs)

Performance Data

LOWEST SPEED

RPM: 65
CFM: 1,181
Watts: 2.98
CFM/W: 396

HIGHEST SPEED

RPM: 220
CFM: 5,165
Watts: 28.95
CFM/W: 178

Energy Guide Data

Average Energy Use
19 Watts

Average Airflow
3,298 CFM

Yearly Energy Cost
\$5

Average Efficiency
142 CFM/Watt

Energy Guide Data represents weighted averages of low speed and high speed performance, assuming typical use (excluding light). For more information, visit www.modernfan.com.

Cirrus DC

Gloss White with White Blades (no light)



Brushed Aluminum with Maple Blades (no light)



Brushed Aluminum with Aluminum Blades and 355 LED Light



FAN FINISHES

Gloss White



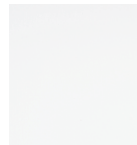
Brushed Aluminum



PLYWOOD BLADES

Plywood blades are constructed of furniture grade veneers, painted or stained as shown here. Natural variations may exist in woodgrains and finishes.

White



Aluminum



Maple



CIRRUS DC CONTROLS

Cirrus DC controls use RF transmission to a receiving unit included with each fan, providing six speeds, reversing and light function (on/off or dimming). Control selection is made at time of order and incorporated into fan item number. Controls utilize dedicated (unique) RF channels to avoid interference with other ceiling fans installed nearby. The wall control (if ordered) also includes a master power switch.

Wall Control (WC)



Remote Control (RC)



Wall/Remote Combo (CC)



* The Cirrus DC must use one of the above control options. Third party fan controls are not compatible with this product. The Remote Control (RC) can be used in combination with a standard power switch (on-off) in wall box.

** Wall control unit is designed for operation of a single fan/fan light only. For multiple units on a single switch leg, the remote control option can be used if the fans are within suitable range. Contact Modern Fan customer support with questions or for additional guidance.

*** To replace lost or damaged control components or to add secondary control to existing control sets (e.g. to add a handset to an existing wall control system), contact Modern Fan Co. customer support for ordering guidance.

DOWN RODS

The Cirrus DC ships standard with 6" and 12" down rods. Use the following part numbers to order accessory down rods.

	Finish	Length
#DRD	-	-
▲		▲
GW	Gloss White	12 12"
BA	Brushed Aluminum	24 24"
		36 36"
		48 48"
		60 60"
		72 72"

SLOPE ADAPTER

The Cirrus DC will accommodate ceiling slopes up to 33 degrees. The #045 slope adapter can accommodate slopes exceeding 33 degrees and up to 45 degrees.

	Finish
#045	-
▲	
GW	Gloss White
BA	Brushed Aluminum