



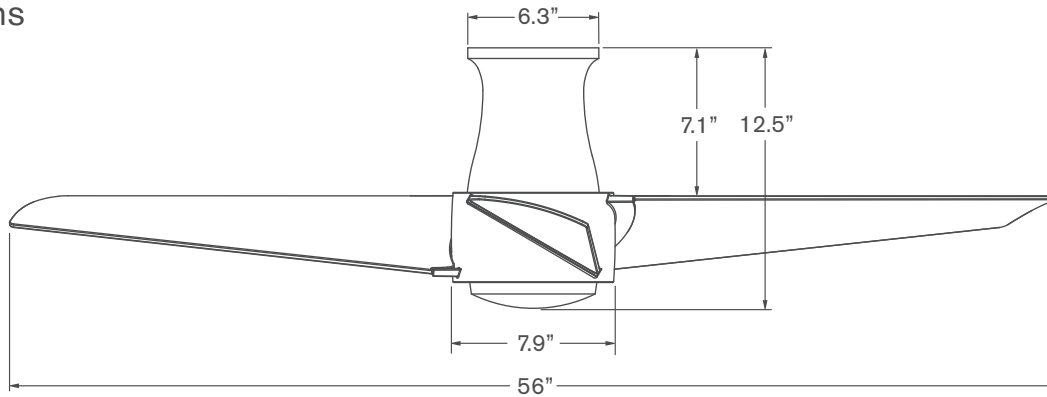
Ambit Flush DC



Ambit Flush DC > Configure item number from attributes below.

Finish	Blade Span	Blade Color	Light Option	Control Option
#AMB-FM-	-	-	-	-
▲ MW Matte White MB Matte Black SBMW Satin Brass/ Matte White SBMB Satin Brass/ Matte Black	▲ 56 56" Span	▲ MW Matte White MB Matte Black EB Ebony GY Graywash MP Maple MG Mahogany WW Whitewash	▲ NL No Light 870 17W LED	▲ WC Wall Control RC Remote Control CC Wall/Remote Combo

Dimensions



Specifications

- 6-speed, reversible DC motor
- Die cast aluminum construction
- 56" span, injection molded ABS blades (solid color or surface printed woodgrain)
- Optional LED light: 17W, 90 CRI, 3000K, 1530 lumens (dimmable) behind opal glass diffuser; adds 0.75" to length of fan; CA Title 24 (JA8) compliant
- For flat ceilings only
- Designed by The Modern Fan Company
- ETL listed for dry and damp locations
- Weight: 16.0 lbs (7.26 kgs)

Performance Data

LOWEST SPEED
RPM: 50
CFM: 1,755
Watts: 3.34
CFM/W: 525

HIGHEST SPEED
RPM: 145
CFM: 4,065
Watts: 26.68
CFM/W: 152

Energy Guide Data

Average Energy Use
17 Watts

Average Airflow
2,982 CFM

Yearly Energy Cost
\$5

Average Efficiency
171 CFM/W

Energy Guide Data represents weighted averages of low speed and high speed performance, assuming typical use (excluding light). For more information, visit www.modernfan.com.

Ambit Flush DC

Matte Black with Matte Blades (no light)



Matte Black/Satin Brass with Maple Blades (no light)

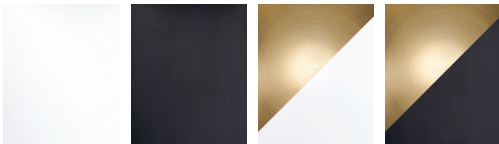


Matte White with Whitewash Blades and 870 LED Light



FAN FINISHES

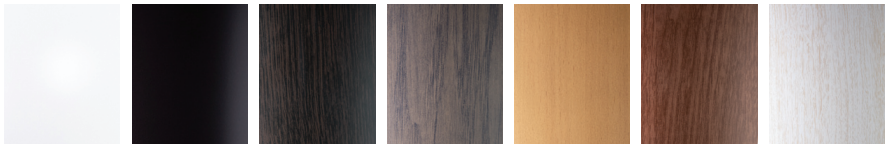
Matte White Matte Black Satin Brass/Matte White Satin Brass/Matte Black



INJECTION MOLDED BLADES

Injection molded blades are constructed of ABS plastic and painted with solid colors or surface-printed with woodgrain detailing as shown here.

Matte White Matte Black Ebony Graywash Maple Mahogany Whitewash



AMBIT FLUSH DC CONTROLS

Ambit Flush DC controls use RF transmission to a receiving unit included with each fan, providing six speeds, reversing and light function (on/off or dimming). Control selection is made at time of order and incorporated into fan item number. Controls utilize dedicated (unique) RF channels to avoid interference with other ceiling fans installed nearby. The wall control (if ordered) also includes a master power switch.

Wall Control (WC)



Remote Control (RC)



Wall/Remote Combo (CC)



* The Ambit Flush DC must use one of the above control options. Third party fan controls are not compatible with this product. The Remote Control (RC) can be used in combination with a standard power switch (on-off) in wall box.

** Wall control unit is designed for operation of a single fan/fan light only. For multiple units on a single switch leg, the remote control option can be used if the fans are within suitable range. Contact Modern Fan customer support with questions or for additional guidance.

*** To replace lost or damaged control components or to add secondary control to existing control sets (e.g. to add a handset to an existing wall control system), contact Modern Fan Co. customer support for ordering guidance.

MOUNTING

The Ambit Flush DC installs with a flat mounting plate (included) for attachment to an appropriately rated junction box.

The Ambit Flush DC is intended for flat, low ceilings (approximately 8'0").

For higher ceilings and/or for sloped ceilings, please select from one of our down rod suspended models.