

# 2

# Inch

## Interchangeable Reflector & Trim

- Beam Spread options 24°/60°
- Type IC, Air-Tight & Damp - No Housing Required
- Aluminum die-cast construction
- I.C. rated for direct contact with insulation
- Suitable for DAMP LOCATION
- LM79, LM-80 testing performed in accordance with IESNA standards



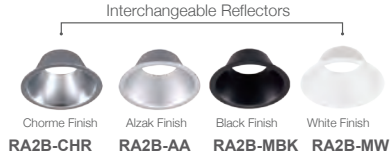
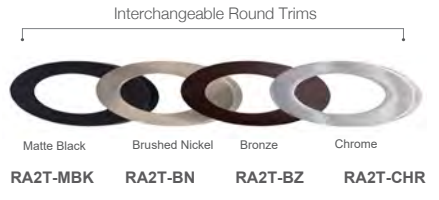
2in 15W

2in 8W

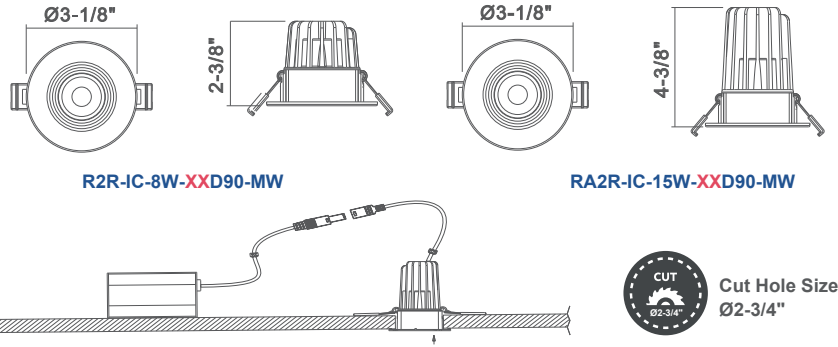


Mix & Match interchangeable reflector & trims!

### Optional Lens



This accessories are compatible with the R2R Series



SPECIFICATIONS	
Application	Recessed Ceiling Mount
Watts	8W   15W
Light Output(lm)	600lm   1000lm
Color Temperature(K)	5CCT Selectable or Single CCT 2700K to 54000K
CRI	90Ra+
Default Driver Input	AC120V 60Hz
Dimming	Triac Dimming
Power Factor	>0.9
Approved Location	Damp Location
Air Tight	YES
Operating Temp.	(-4°F~104°F) -20~40°C
Beam Angle	38°

### Accessories

<b>Mounting Plate</b>  <b>R2.5-4-6-NC</b> See Page 60	<b>Emergency Driver</b>  <b>BL-ELD-15W</b> See Page 60	<b>277 Optional Driver</b>  <b>RA4-277 VPS</b> See Page 60
--	---	---

### Ordering For 8 Watt Version

MODELS	CCT	FINISH
R2R-IC-8W-27D90-MW	2700 Kelvin	MW (Matte White)
R2R-IC-8W-3D90-MW	3000 Kelvin	
R2R-IC-8W-4D90-MW	4000 Kelvin	
R2R-IC-8W-5CCT-D90-MW	5CCT(selectable 2700-5000K)	

### Ordering For 15 Watt Version

MODELS	CCT	FINISH
RA2R-IC-15W-27D90-MW	2700 Kelvin	MW (Matte White)
RA2R-IC-15W-3D90-MW	3000 Kelvin	
RA2R-IC-15W-4D90-MW	4000 Kelvin	
RA2R-IC-15W-5CCT-D90-MW	5CCT(selectable 2700-5000K)	